



## Advance Problem Solving Worksheet A

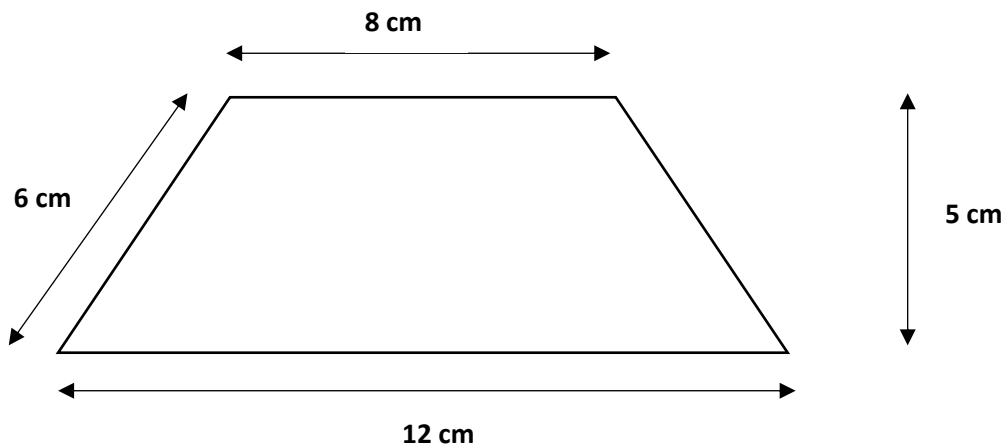
1. During the lockdown lots of people are buying items online and having their parcels delivered to their homes. The delivery costs for parcels are shown in the table below:

Next Day (urgent delivery)	Minimum price £3.50 up to 1 kg. Add extra £1.50 per extra kg.
3 day (standard delivery)	Minimum price £2.00 up to 1 kg. Add extra £1.20 per extra kg.
7 day (economy delivery)	Minimum price £1.00 up to 1 kg. Add extra £0.50 per extra kg.

Shriaansh has ordered a new dictionary and some stationery from Amazon. The package weights 5kgs.

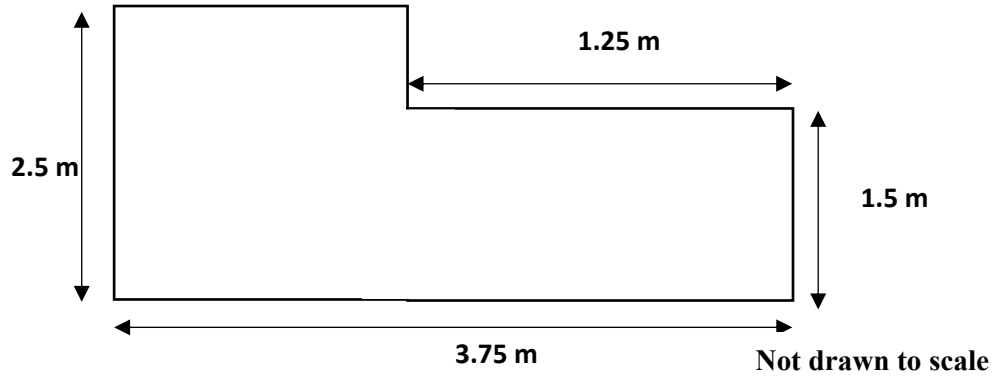
- What is the difference in cost between an urgent delivery and an economy delivery?
- Faraz and Zeba have ordered a new encyclopaedia each. The cost for a standard delivery is £10.40. How much does their parcel weigh?
- How much extra would it have cost for Faraz and Zeba to receive their parcel with a next day delivery?

2. What is the area of this trapezium?



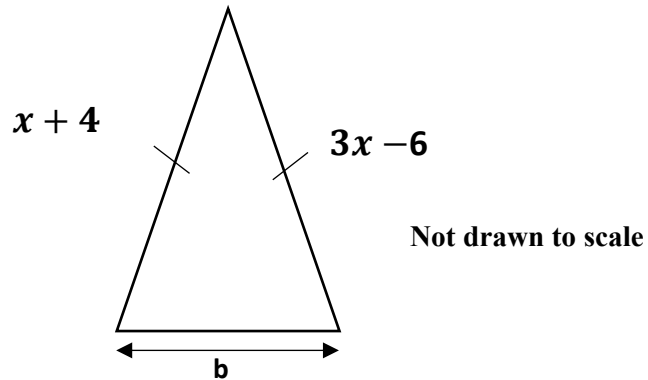


3. Below is a diagram of Jacob's bedroom. It is NOT drawn to scale:

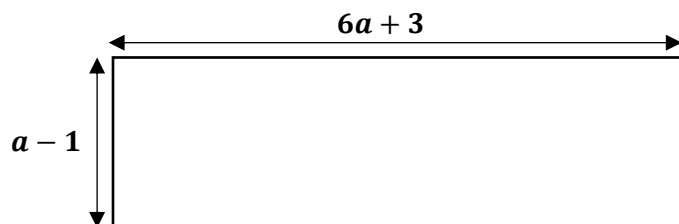


- What is the perimeter of Jacob's room?
- What is the area of Jacob's room?

4. Below is an isosceles triangle. Its perimeter measures 23cm. What is the length of side b ?



5. The perimeter of this rectangle is 102cm. What is the value of a ?





6. In the bowl 10% of the marbles are red,  $\frac{1}{5}$  are blue and 0.25 are yellow. The rest are all green. There are 90 green marbles. How many marbles are there in total in the bowl?
7. Bhoomi is tiling a wall in her bathroom. The wall is 2.4 metres high by 3.5 metres wide. Each tile measures 20cm by 25cm. The tiles come in boxes containing 12 tiles, each box costs £24.50. How much has Bhoomi spent on tiles ?

### Answers

1. During the lockdown lots of people are buying items online and having their parcels delivered to their homes. The delivery costs for parcels are shown in the table below:

Next Day (urgent delivery)	Minimum price £3.50 up to 1 kg. Add extra £1.50 per extra kg.
3 day (standard delivery)	Minimum price £2.00 up to 1 kg. Add extra £1.20 per extra kg.
7 day (economy delivery)	Minimum price £1.00 up to 1 kg. Add extra £0.50 per extra kg.

Shriaansh has ordered a new dictionary and some stationery from Amazon. The package weights 5kgs.

- a. What is the difference in cost between an urgent delivery and an economy delivery?

$$\text{Urgent delivery: } £3.50 + (4 \times £1.50) = £9.50$$

$$\text{Economy delivery: } £1.00 + (4 \times £0.50) = £3.00$$

$$\text{Difference } £9.50 - £3.00 = \underline{\underline{£6.50}}$$

- b. Faraz and Zeba have ordered a new encyclopaedia each. The cost for a standard delivery is £10.40. How much does their parcel weigh?

$$\text{Standard delivery: } £2.00 + (\text{extra kg} \times £1.20) = £10.40$$

$$£10.40 - £2.00 \text{ (for 1st Kg)} = £8.40$$

$$£8.40 \div £1.20 = 7 \text{ extra kgs}$$



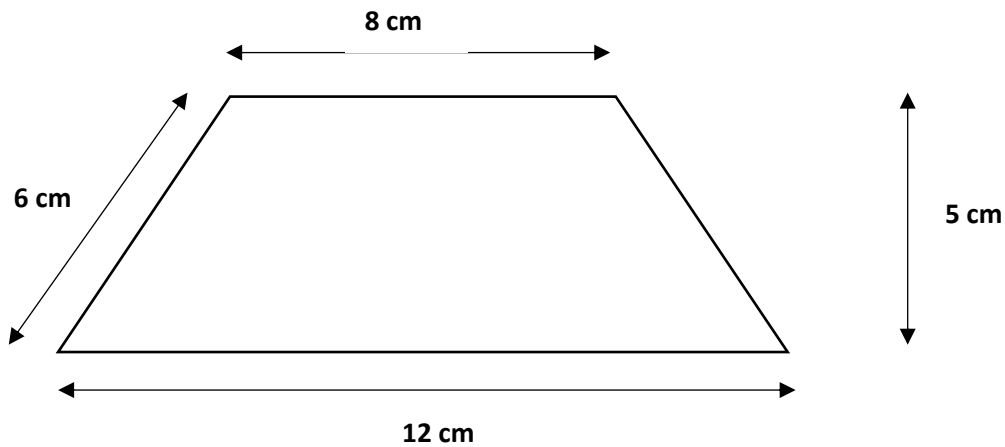
So parcel was 1kgs + 7kgs extra = **8kgs in total**

- c. How much extra would it have cost for Faraz and Zeba to receive their parcel with a next day delivery?

Next day delivery:  $\pounds 3.50 + (7 \times \pounds 1.5) = \pounds 14.00$

Difference :  $\pounds 14.00 - \pounds 10.40 = \pounds 3.60$

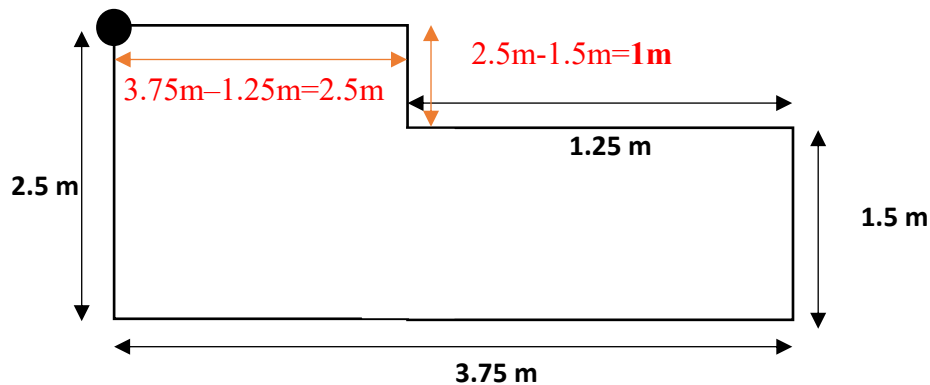
2. What is the area of this trapezium?



Area of trapezium = average of parallel side x vertical height

So  $((8+12)/2) \times 5\text{cm} = 10\text{cm} \times 5\text{cm} = \mathbf{50\text{ cm}^2}$

3. Below is a diagram of Jacob's bedroom. It is NOT drawn to scale:



- a. What is the perimeter of Jacob's room?

$2.5 + 1 + 1.25 + 1.5 + 3.75 + 2.5 = \mathbf{12\text{ metres}}$



b. What is the area of Jacob's room?

$$2.5\text{m} \times 2.5\text{m} = 6.25\text{m}^2 \quad 1.25\text{m} \times 1.5\text{m} = 1.875\text{m}^2$$
$$6.25\text{m}^2 + 1.875\text{m}^2 = \underline{8.125\text{m}^2}$$

4. Below is an isosceles triangle. Its perimeter measures 23cm. What is the length of side b ?

$x + 4 = 3x - 6$        $x + 4$ . If  $x = 5\text{cm}$        $3x - 6$ . If  $x = 5\text{cm}$

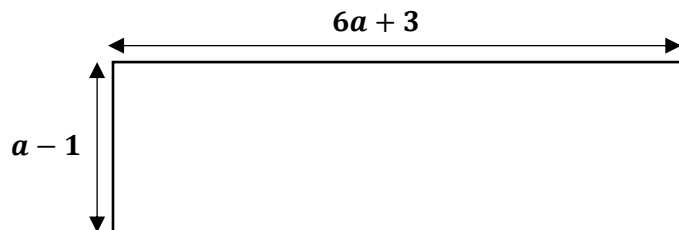
So  $10 = 2x$        $5 + 4 = 9\text{cm}$        $15 - 6 = 9\text{cm}$

And  $x = 5\text{cm}$

**Not drawn to scale**

$9\text{cm} + 9\text{cm} + b = 23\text{cm}$ . So  $b = \underline{5\text{cm}}$

5. The perimeter of this rectangle is 102cm. What is the value of a ?



Perimeter:  $2(6a+3) + 2(a-1)$       **Not drawn to scale**

$$12a + 6 + 2a - 2$$
$$14a + 4 = 102\text{cm}$$
$$14a = 98\text{cm}$$
$$\underline{a = 7\text{cm}}$$

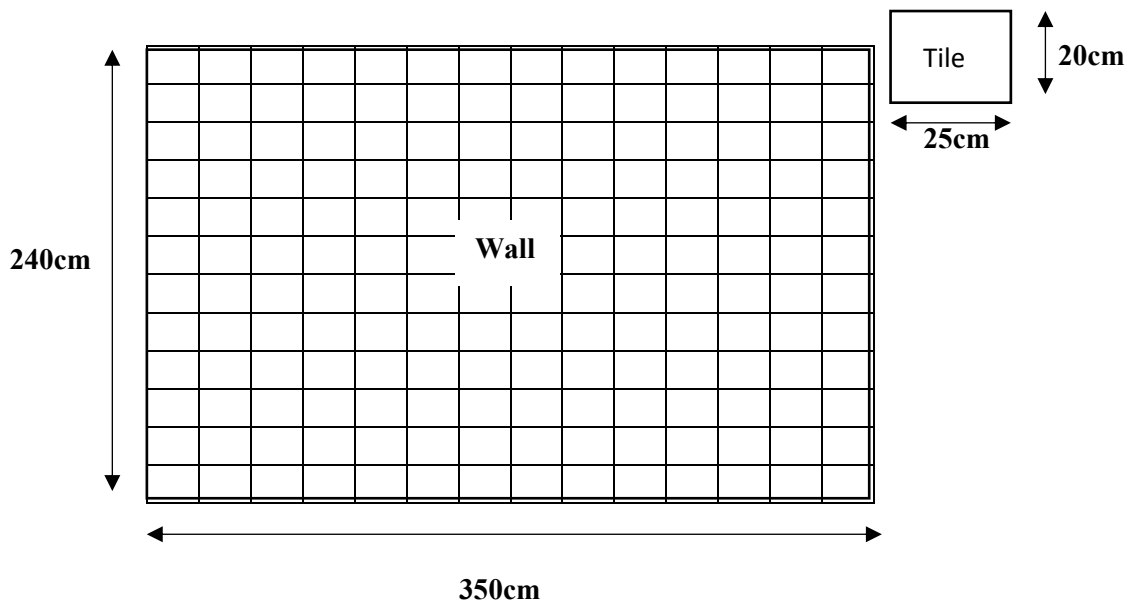
6. In the bowl 10% of the marbles are red,  $\frac{1}{5}$  are blue and 0.25 are yellow. The rest are all green. There are 90 green marbles. How many marbles are there in total in the bowl?

$$\text{Red} = 10\% = \frac{1}{10}, \text{ Blue} = \frac{1}{5}, \text{ Yellow} = 0.25 = \frac{1}{4}. \quad \frac{1}{10} + \frac{1}{5} + \frac{1}{4} = \frac{2}{20} + \frac{4}{20} + \frac{5}{20} = \frac{11}{20}$$

$$\text{So } \frac{9}{20} = \text{Green} = 90. \text{ So } \frac{1}{20} = 10 \text{ and } \frac{20}{20} = \underline{200 \text{ marbles in total}}$$



7. Bhoomi is tiling a wall in her bathroom. The wall is 2.4 metres high by 3.5 metres wide. Each tile measures 20cm by 25cm. The tiles come in boxes containing 12 tiles, each box costs £24.50. How much has Bhoomi spent on tiles ?



Across the wall:  $350\text{cm} \div 25\text{cm} = 14$  tiles

Up the wall:  $240\text{cm} \div 20\text{cm} = 12$  tiles

Total tiles:  $14$  tiles  $\times$   $12$  tiles =  $168$  tiles in total.

$168$  tiles  $\div$   $12$  tiles per box =  $14$  boxes of tiles

$14$  box  $\times$   $\pounds 24.50 = \pounds 343$